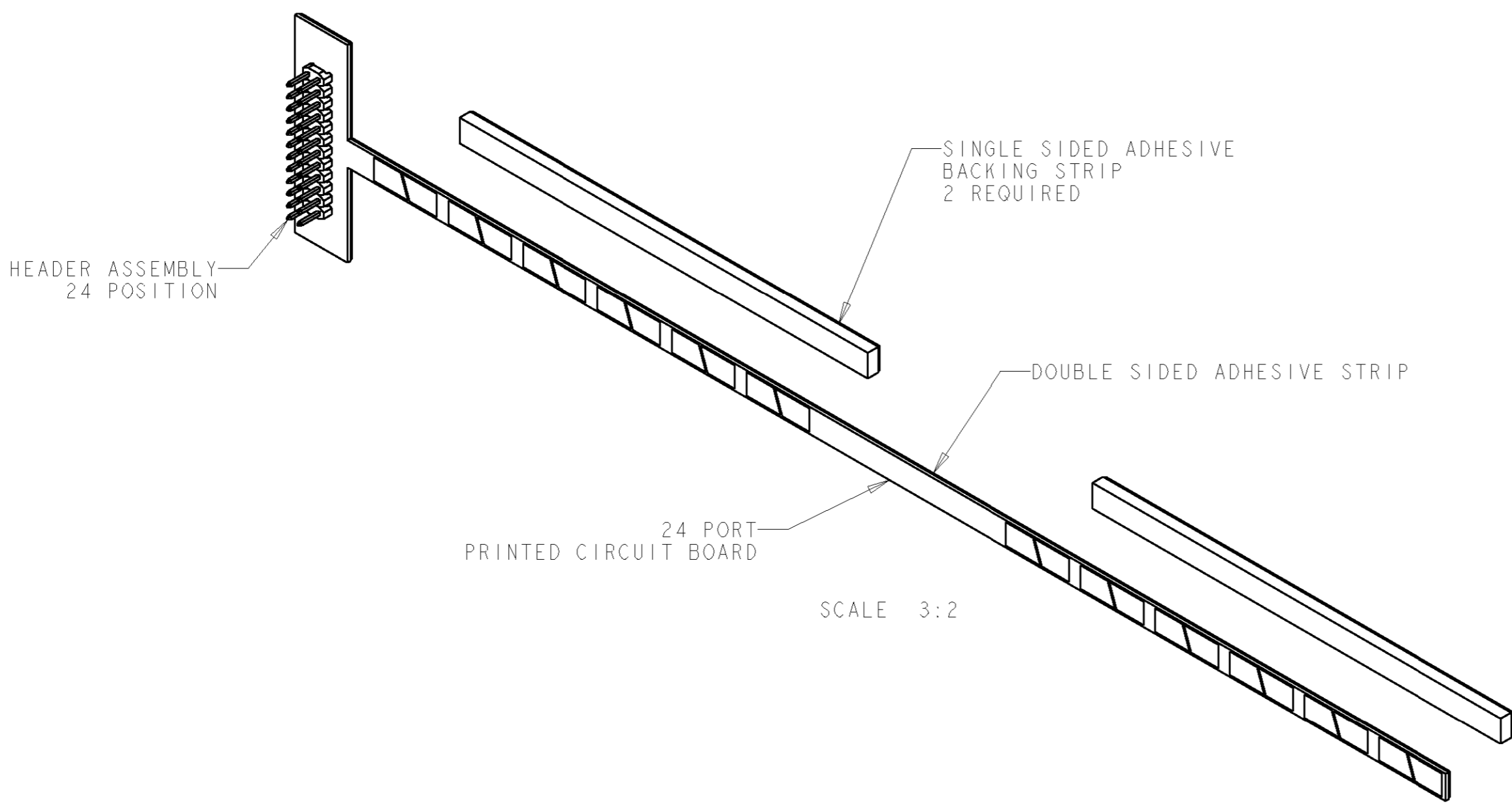
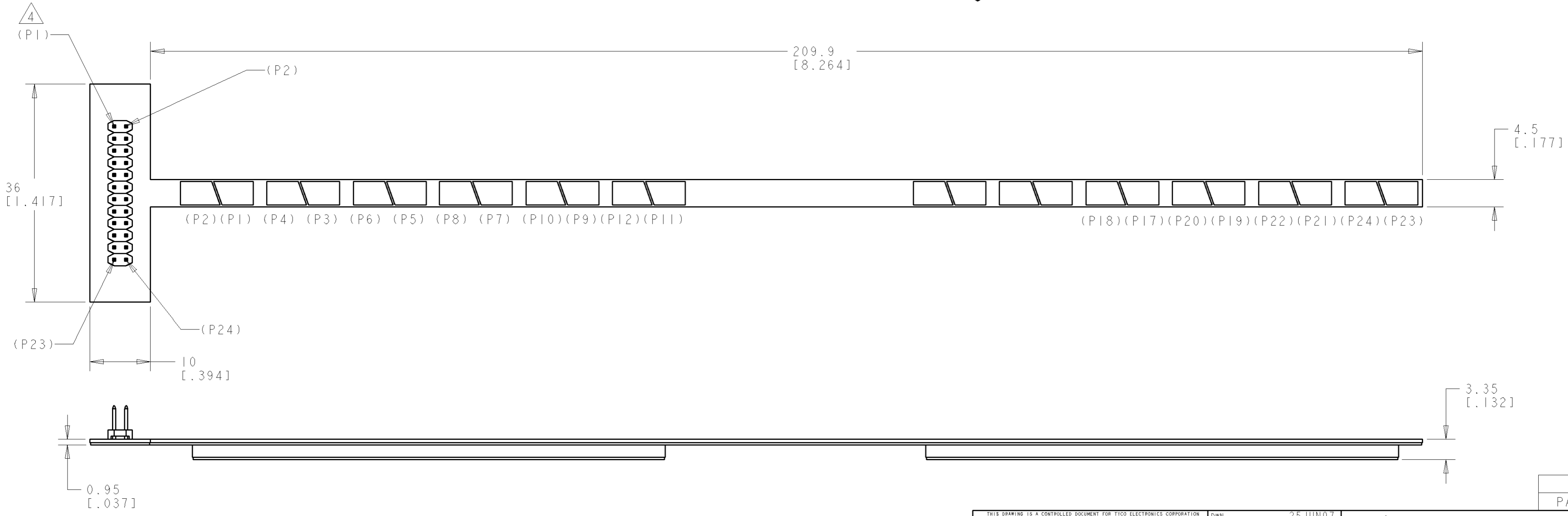


THIS DRAWING IS UNPUBLISHED. RELEASED FOR PUBLICATION 20  
 © COPYRIGHT 20 BY TYCO ELECTRONICS CORPORATION. ALL RIGHTS RESERVED.

LOC	DIST	REVISIONS					
HM	00	P	LTR	DESCRIPTION	DATE	DWN	APVD
		A		RLSD; NPR NSD07-065	25JUN2007	GG	SH



- 1 MATERIAL:  
 PRINTED CIRCUIT BOARD - LAMINATED PLASTIC FR-4, 0.57 [.022] THICK.  
 ADHESIVE TAPE - MYLAR, 0.25 [.010] THICK.  
 BACKING STRIP ASSEMBLY - FR-4 WITH MYLAR, 2.4 [.094] THICK.  
 HOUSING - THERMOPLASTIC, UL94V-0, BLACK.  
 CONTACTS - COPPER ALLOY.
- 2 ALL DIMENSIONS SHOWN ARE NOMINAL.
- 3 PARENTHESIS ( ) ARE FOR REFERENCE ONLY. NOT SHOWN ON BOARD.
- 4 (P\_) CALLOUTS ARE FOR PIN TO PAD REFERENCE ONLY.



1933430-1  
PART NUMBER

THIS DRAWING IS A CONTROLLED DOCUMENT FOR TYCO ELECTRONICS CORPORATION IT IS SUBJECT TO CHANGE AND THE CONTROLLING ENGINEERING ORGANIZATION SHOULD BE CONTACTED FOR THE LATEST REVISION.		DWN G. GARRETT 25JUN07 CHK S. HERNDON 25JUN07 APVD S. HERNDON 25JUN07	<b>tyco</b> Tyco Electronics Harrisburg, PA 17105-3608
DIMENSIONS: MM [INCHES]	TOLERANCES UNLESS OTHERWISE SPECIFIED: 0 PLC ± 1 PLC ± 2 PLC ± 3 PLC ± 4 PLC ± ANGLES ± FINISH	PRODUCT SPEC - APPLICATION SPEC - WEIGHT -	NAME AMPTRAC SENSOR, PCB, 24 PORT SIZE A2 CAGE CODE 00779 DRAWING NO. 1933430 RESTRICTED TO - SCALE 2:1 SHEET 1 OF 1 REV A
MATERIAL 1 -		CUSTOMER DRAWING	